

LOTTUS NOTE

enea

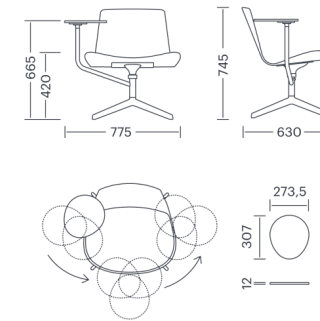
BY Lievore Altherr Molina



Structures

- Round tube $\varnothing 25 \times 2$ mm. in cold laminate steel.
- Supports in injected aluminium L-2630 UNE 38-263.
- Semi-automatically welding in arc robot with gas control and steel strip. φ
- Base with 4 polished aluminium or lacquered supports, with non-slip tips.

Measures



Accessories

- Felt leg pads

This version of our relaxing and welcoming Lottus line adds a highly versatile writing table to this lower and more casual seating option. Using a swivel star base, it is ideal for hospitality spaces as well as office use, where the main objective is well-being and usability.

Structure

Lacquered



b (RAL 9016) White
 n (RAL 9005) Jet Black
 W (RAL 5005) Blue
 E (RAL 9016) May Green



y (RAL 1023) Yellow
 O (RAL 2010) Signal Orange
 R (RAL 3002) Carmine Red
 2 (RAL 7032) Pebble Grey



7 (RAL 9006) Bright Aluminium
 9 (RAL 9016) White
 3 (RAL 9005) Jet Black
 G (RAL 7016) Anthracite Grey

Chrome



4 Cromado

Polished aluminium



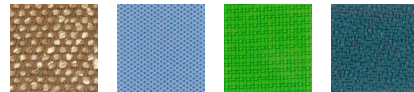
Aluminio

Seat

Upholstered Camira



Advantage Blazer Hemp Main Line Flax



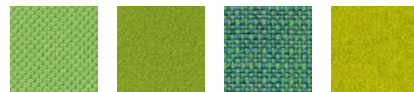
Silk Sprint Urban Xtreme

Upholstered Spradling

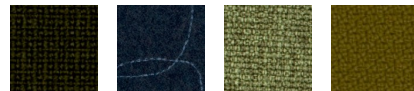


Valencia

Upholstered Gabriel



Atlantic Comfort Crisp Europost

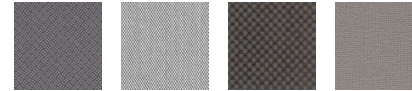


Fame Luna Medley Step

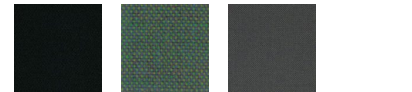


Step Melange

Upholstered Kvadrat



Revive 2 Steelcut Trio Field Hallingdal



Messenger Remix Revive 1

Upholstered Antic Cuir



Piel Serie 100 Piel Serraje

Upholstered Leder Reinhardt



Napoli Leather