

LOTTUS WOOD TABLES

enea

BY Lievore Alther Molina



Structures

- Table legs in birch or oak veneer.
Mechanical joints with screw/nut solution.

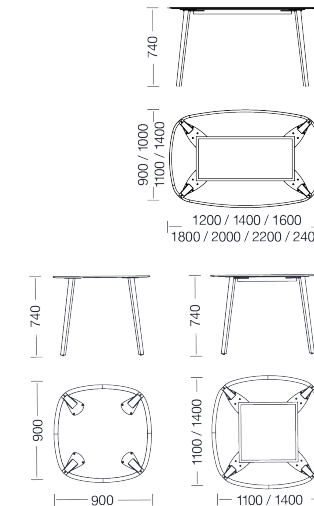
Certificates

UNE EN581-3:2007
Bifma X5.1-2011
UNE EN581-3:2007

Finishes

- Wood structure
- Top in HPL.

Measures

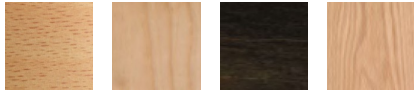


The Lottus wood tables are a natural evolution of the Lottus programme, with the structures coming in a new birch and oak plywood base, emphasizing their friendly, warm and approachable character.

Finishes

Structure

Wood



Beech Y - Birch S - Birch X - Oak



3D449 Oak

Worktop

Beech

Dark Birch

Birch

Oak

Lacquered

Chrome

2D-Wood

Polypropylene

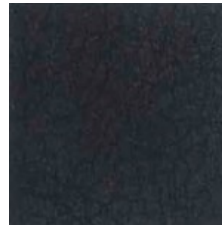
Wood

3D-Wood

Upholstered



Camira



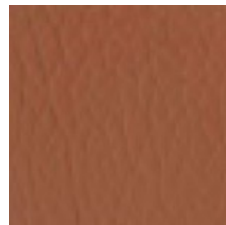
Spradling



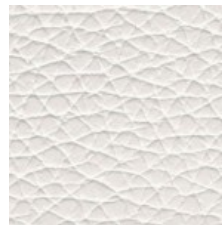
Gabriel



Kvadrat



Antic Cuir



Leder Reinhardt

Fenix NTM

HPL

Melamine

Polished aluminium

Steel